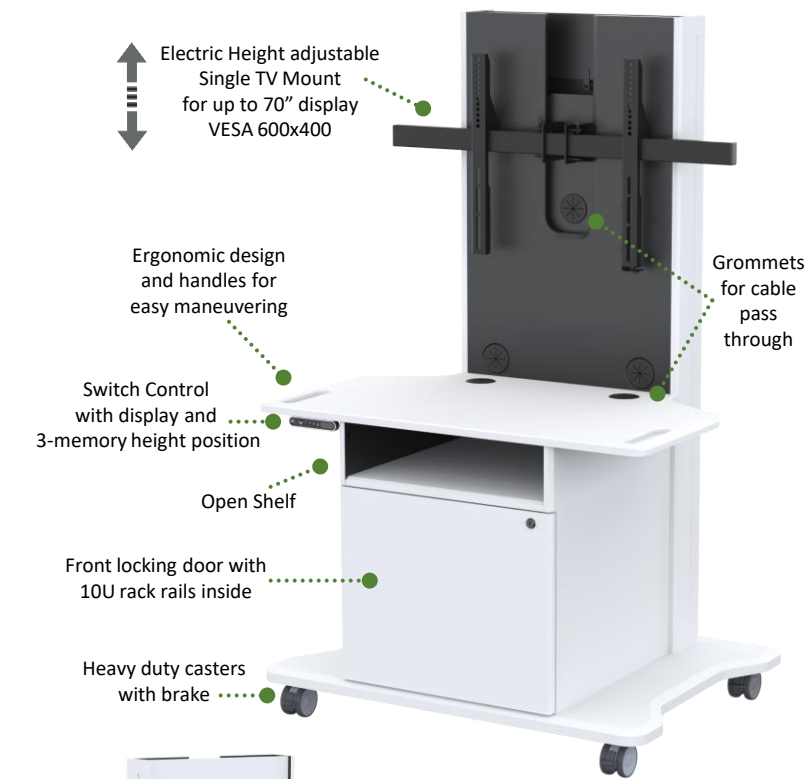


MC26LFT-S Electric Lift Mobile Cart with Single TV Mount



The **MC26LFT-S** Electric Lift Mobile Cart with Single TV Mounts is a perfect option for conference rooms, classrooms, or rolling around training environments. The ergonomic and functional design can accommodate a variety of electronics and hold up to 70" displays.

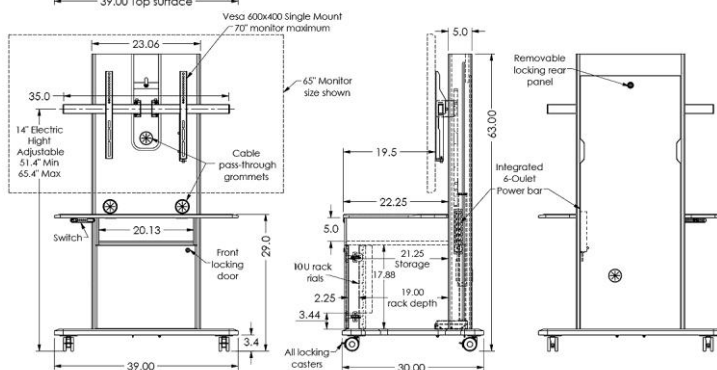
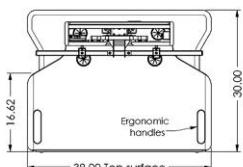
The main hollow column is designed to pass all wiring, featuring a removable locking panel and an integrated 6-outlet power strip. The door compartment is equipped with 10U rack rails and large space for PC storage.

Standard Features

- Highly resistant thermowrap finish all over.
- Electric height adjustable Single TV mount for up to 70" display VESA 600x400.
- Switch control with display and 3-memory height position.
- Locking door compartment equipped with 10U rack rails.
- Removable rear locking panel.
- 6-outlet power strip, 10 ft. power cord.
- Open shelf, grommets and accommodation for 1x 120mm fan.
- Heavy-duty casters for easy maneuvering (All locking).
- Ships assembled.

Options

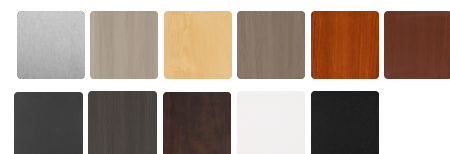
- **FAN** Quiet cooling fan.
- **PB** Six outlet power bar with 10 ft. Cord.
- **PC-PATCH** 2x 110AC, RJ45, Phone, 2x USB.
- **CUB3** Round cable well.
- **CUB4** Black-B/Silver-S Power Panel.
- **CUB22** 3 Module Power panel, Black (2x AC, USB-A & USB-C fast charging).
- **CUBM3** 3 Module Power & Data panel, Black (2x AC, 1x Cat 6).
- **CUBM4** 4 Module Power & Data panel, Black (2x AC, 1x Cat 6, 1x HDMI).
- **CHGQIB** Wireless Charging Station, Black (UL, CE, Qi certified).
- **CHGWAC** Desktop Wireless Charger with USB-A+C.
- **CBB-TV** Under TV Camera Bracket.
- **TVCB-XL** Camera Bracket.
- **BKT-ROOM** Camera Bracket (Requires TVCB).
- **BKT-SBB2** Sound Bar Bracket.
- **9031/9041/9052** Metal shelves/drawer (Check website).
- **CUSTOM CUTOUT** Cutouts for electronics or other items specified by the customer.



Specifications

Model: MC26LFT-S
Width: 39.0"
Depth: 30.0"
Height: 63.0"

Finishes:



The information contained in this drawing is the sole property of Audio Visual Furniture International. Any reproduction in part or as a whole without the written permission of Audio Visual Furniture International is prohibited. We can build or modify stock configurations to suit customer specifications. Please contact us to discuss how this service can help meet your needs. Some quantity restrictions may apply. Specification subject to change without notice. Computers, cameras, monitors, etc. are shown to illustrate product usage and are not included unless otherwise noted.